

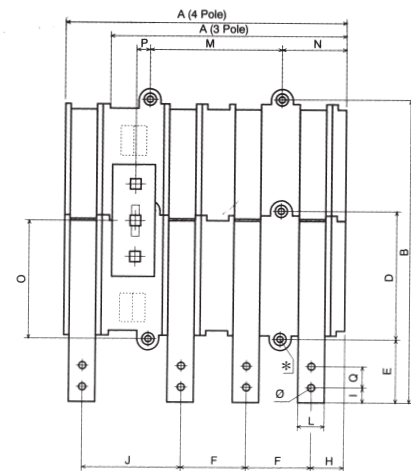
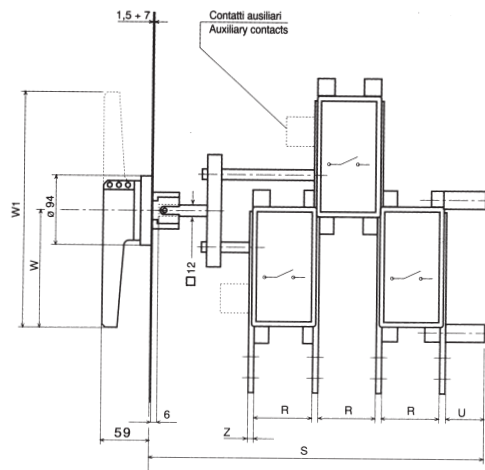
codici per ordini - ordering codes

BPV	250A	400A	630A	800A	1000A	1250A	1600A	1800A	2000A
3 pole	EBPV02503000V	EBPV04003000V	EBPV06303000V	EBPV08003000V	EBPV10003000V	EBPV12503000V	EBPV16003000V	EBPV18003000V	EBPV20003000V
4 pole	EBPV02504002V	EBPV04004002V	EBPV06304002V	EBPV08004002V	EBPV10004002V	EBPV12504002V	EBPV16004002V	EBPV18004002V	EBPV20004002V

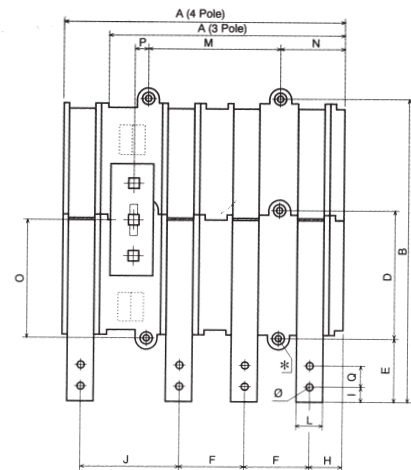
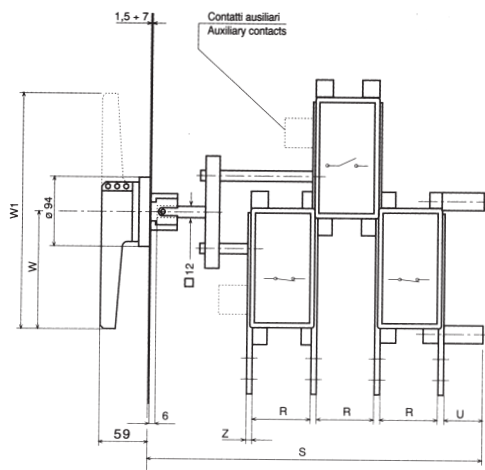
Per ordinare i Deviatori By-Pass (II-I) sostituire la quarta lettera **V** del codice con la lettera **D**. Esempio: EBP**V**P02503000V diventa EBP**D**P02503000V
 To order Deviators By-Pass (II-I) replace the fourth letter **V** of code with letter **D**. Example: EBP**V**P02503000V becomes EBP**D**P02503000V

nota: per gli ordini in Italia sostituire con la J la E iniziale nel codice prodotto

BPV 250A:2000A 3-4 pole



BPD 250A:2000A 3-4 pole



	A	A	B	D	E	F	H	I	J	L	M	N	O	P	Q	R	S	U	W	W ₁	Z	Ø	*
	3 pole	4 pole																					
BPV-BPD 250A	181	222	276	107	24	44	28	12	82	25	98	51	122	6	—	59	345	63	165	—	—	10,5	5,5
BPV-BPD 400A																							
BPV-BPD 630A	256	306	318	119	43	65	42	15	109	30	137	72	132	12	—	59	400	69	165	—	—	12,5	6,5
BPV-BPD 800A																							
BPV-BPD 1000A	325	378	463	176	73	87	49	20	130	40	174	92	189	18	30	77	421	58	165	—	8	12,5	7
BPV-BPD 1250A																	425	56	—	—	10		
BPV-BPD 1600A																	437	50	—	—	16		
BPV-BPD 1800A	325	378	463	176	73	87	49	20	130	40	174	92	189	18	30	77	441	48	—	330	16	12,5	7
BPV-BPD 2000A																	445	46	—	—	20		