

## Bypass Switches

**Switchgear Systems Ltd**

16 Woodside Park, Rugby  
Warwickshire, CV21 2NP

**T** 01788 577399

**F** 01788 577899

**E** [mail@switchgear-systems.com](mailto:mail@switchgear-systems.com)

[www.switchgear-systems.com](http://www.switchgear-systems.com)

Sole UK distributor for

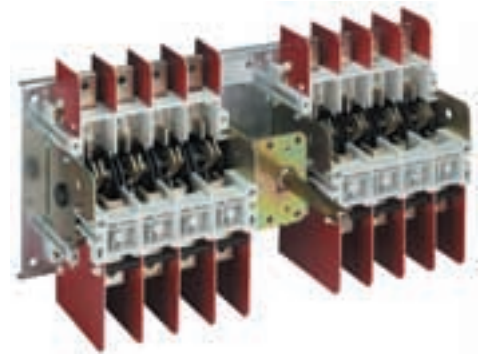


## Open Bypass Switches I-O-II

- Complete bypass switching system in one unit. Reduces connections and the need for interlocks
- Excellent electrical performance and full break capacity
- Unique L shaped contacts giving mechanical supply separation assurance
- Visible contacts for operator security
- Available in 3, 4 pole bypass
- Compact design saving up to 60% panel space
- Auxiliary contacts and shrouds are available

AC22 I <sub>th</sub>	415V kW	Reference
63A	10kW	FMU BY1 6/4
100A	12kW	FMU BY1 10/4
125A	15kW	FMU BY1 12/4
160A	30kW	FMU BY1 16/4
200A	37kW	FMU BY1 20/4
250A	55kW	FMU BY1 25/4
300A	63kW	FMU BY1 30/4
400A	90kW	FMU BY1 40/4
500A	110kW	FMU BY1 50/4

AC22 I <sub>th</sub>	415V kW	Reference
630A	160kW	FMU BY1 63/4
800A	200kW	FMU BY1 80/4
1000A	250kW	FMU BY1 100/4
1250A	300kW	FMU BY1 125/4
1600A	500kW	FMU BY1 160/4
2000A	600kW	FMU BY1 200/4
2500A	800kW	FMU BY1 250/4
3150A	1000kW	FMU BY1 315/4
4000A	1100kW	FMU BY1 400/4



Peterreins bypass switches are single shaft operated units reducing the need for bridging bars and switch interlocks. The switch handle and shaft are included with the unit.

3 pole units and enclosed switches are also available.

## Enclosed Bypass Switches I-O-II

AC22 I <sub>th</sub>	415V kW	Reference	Enclosure IP55 HxWxD
63A	10kW	ST FMU BY1 6/4	500 x 400 x 200
100A	12kW	ST FMU BY110/4	600 x 400 x 200
125A	15kW	ST FMU BY112/4	600 x 400 x 200
160A	30kW	ST FMU BY116/4	600 x 400 x 200
200A	37kW	ST FMU BY120/4	800 x 600 x 320
250A	55kW	ST FMU BY125/4	800 x 600 x 320
300A	63kW	ST FMU BY130/4	1000 x 800 x 320
400A	90kW	ST FMU BY140/4	1000 x 800 x 320
500A	110kW	ST FMU BY150/4	1000 x 800 x 320

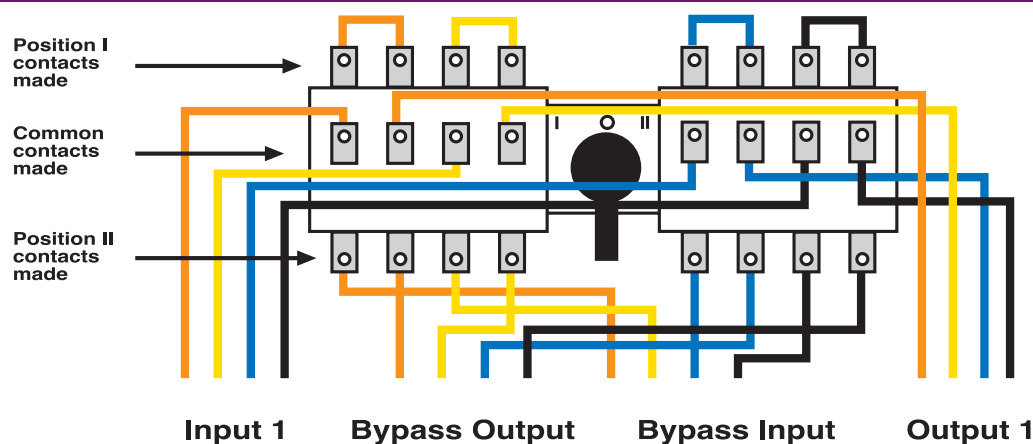
AC22 I <sub>th</sub>	415V kW	Reference	Enclosure IP55
630A	160kW	ST FMU BY1 63/4	By agreement
800A	200kW	ST FMU BY1 80/4	By agreement
1000A	250kW	ST FMU BY1 100/4	By agreement
1250A	300kW	ST FMU BY1 125/4	By agreement
1600A	500kW	ST FMU BY1 160/4	By agreement
2000A	600kW	ST FMU BY1 200/4	By agreement
2500A	800kW	ST FMU BY1 250/4	By agreement
3150A	1000kW	ST FMU BY1 315/4	By agreement
4000A	1100kW	ST FMU BY1 400/4	By agreement

IP65, Stainless Steel or GRP enclosures can be supplied to customers' requirements.

Note: Standard enclosures are sized to suit the normal cable for the switch size. If you are using oversize cable we can supply switches in larger enclosures to suit the cable size.

Special applications and requirements can be catered for on request.

## Typical Bypass Switching Arrangement



This illustration shows one of many possible connection variations which can be used with this unique product.